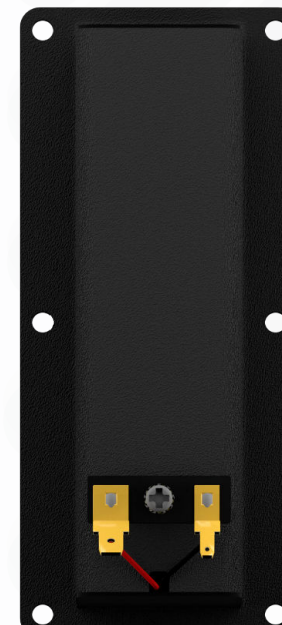
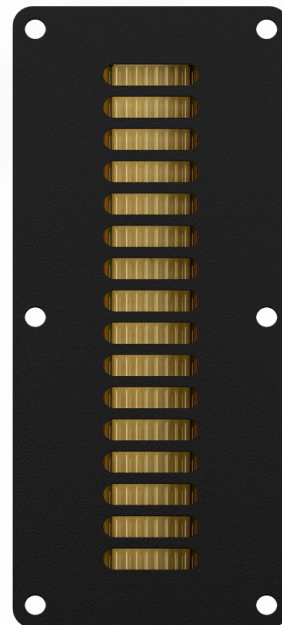


Samples available: Immediately
Start of sale: Immediately

AMT U110W1.1

Tweeter

AMT U110W1.1 offers huge SPL reserves for large floor standing speakers with a low crossover frequency or for quite demanding home-theater speakers. It is predestined for applications where low ceiling or floor reflections might cause difficulties. Its SPL reserves, together with the decisive quality features of our **AMT U.Series** with **Mundorf diaphragm**, such as exceptionally low K3 / K5 distortion data, a truly powerful music performance within the entire application range and, at the same time, the fine micro-dynamics and richness of music details that distinguish all **Mundorf AMTs**, make **AMT U110W1.1** always the first choice when a little more of everything is in demand.



Specifications

Nominal Impedance	6 Ω
DC Resistance (R_{dc})	5.5 Ω
Sensitivity (2,83 V / 1m) ¹	93 dB
Resonance Frequency (FS)	1750 Hz
Frequency Response (-6dB)	1.7 kHz - 27 kHz
Frequency Response (-10dB) ¹	1.4 kHz - 28 kHz
Crossover from (filter 12dB/6dB/Oct.)	1.8 kHz / 2.7 kHz
Nominal Frequency Range ³	2.0 kHz - 27 kHz
Power Handling, long term ^{1,2}	20 W _{rms}
Power Handling, short term ^{1,2}	110 W _{rms}
Max. Input Voltage, long term ^{1,2}	11 V _{rms}
Max. Input Voltage, short term ^{1,2}	25.7 V _{rms}
Effective Piston Area	43.6 cm ²
Total Weight	0.455 kg
Face Plate	optional

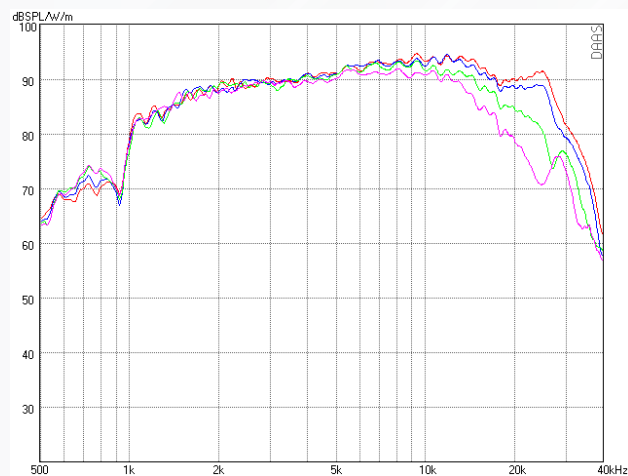
1) according to IEC 60268-5
 2) via High Pass Filter, Butterworth 2000 Hz 12 dB/Okt.
 3) according to power measurement

Interactive 3D Model

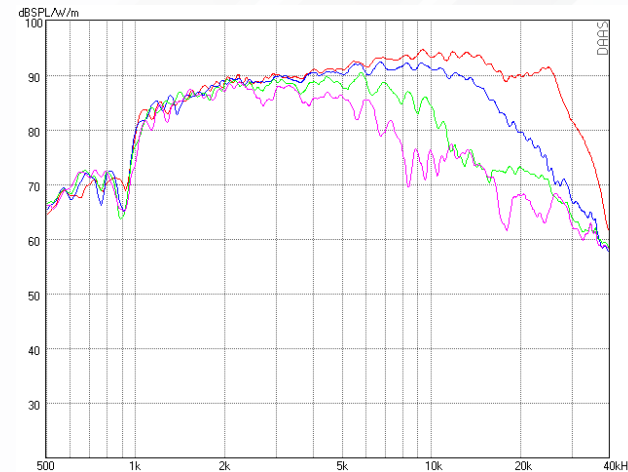


Measurements

SPL Horizontal 0° - 15° - 30° - 45°

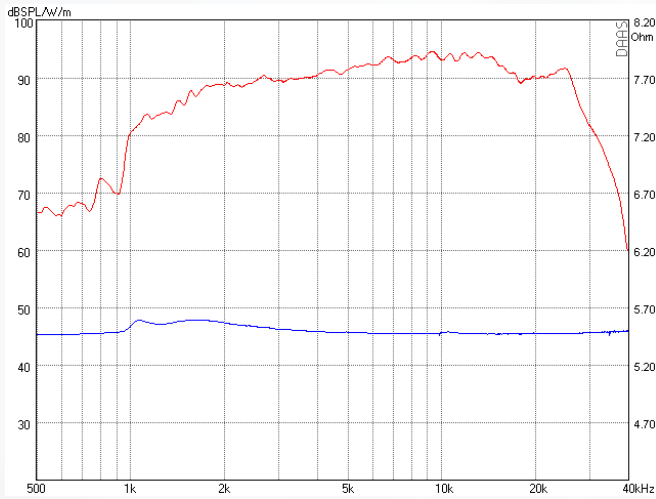


SPL Vertical 0° - 10° - 20° - 30°

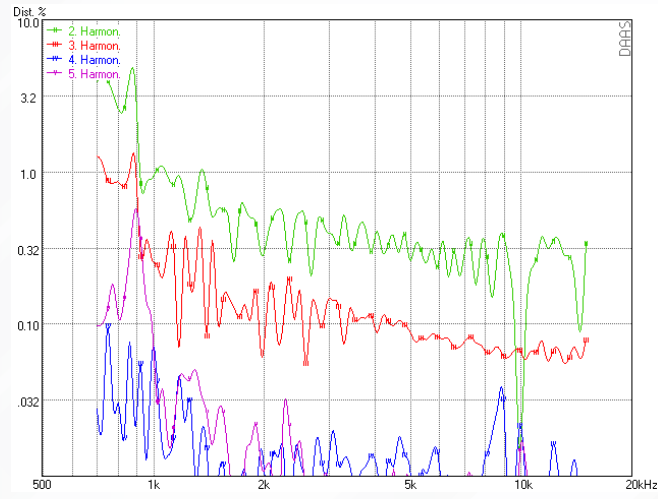


Measurements

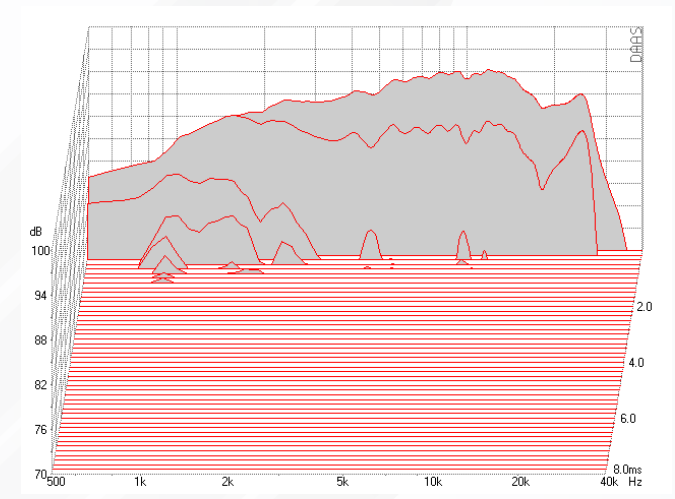
SPL - Impedance



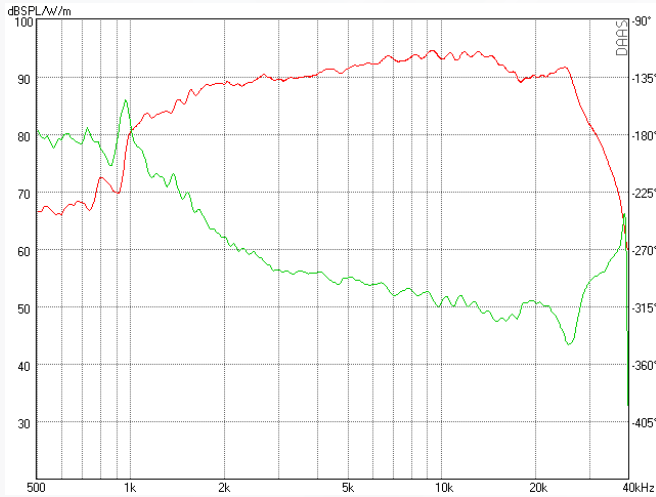
Harmonic Distortion 2.83 V



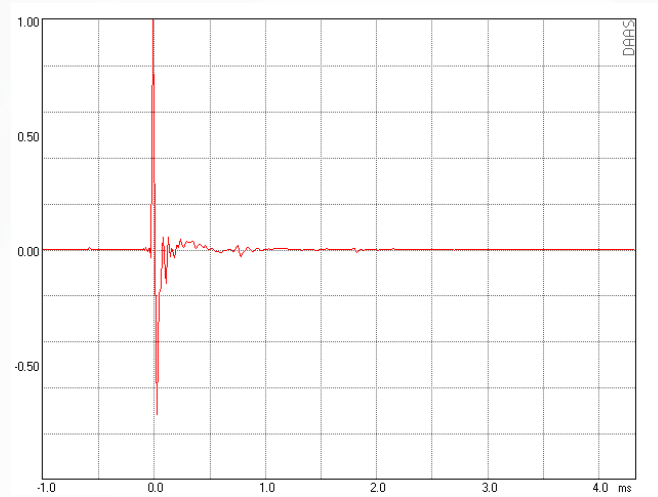
Waterfall



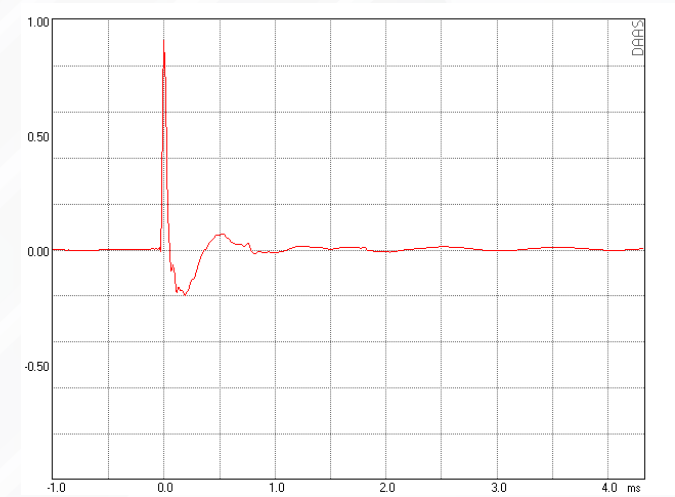
SPL - Phase



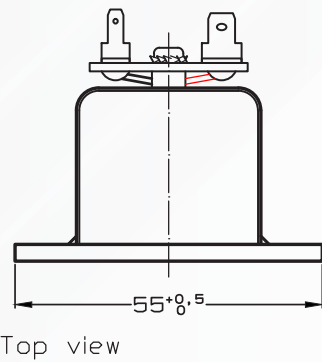
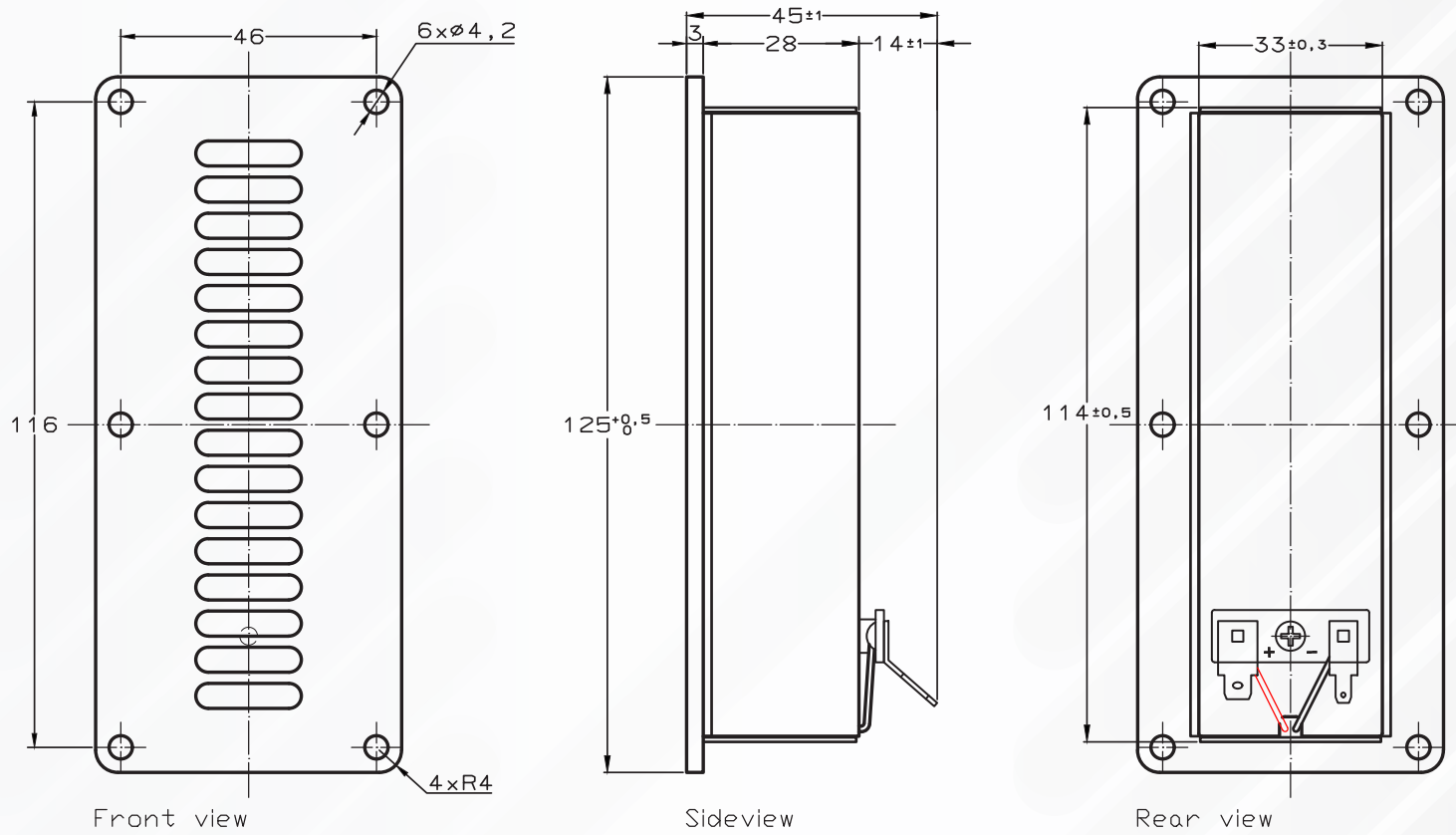
Impulse Response



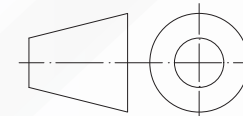
Step Response



Dimensions



	Dimensions	Tolerance
Length	125 mm	+ 0,5 mm
Width	55 mm	+ 0,5 mm
Depth including terminal	45 mm	+/- 1 mm



All measurements are in mm.