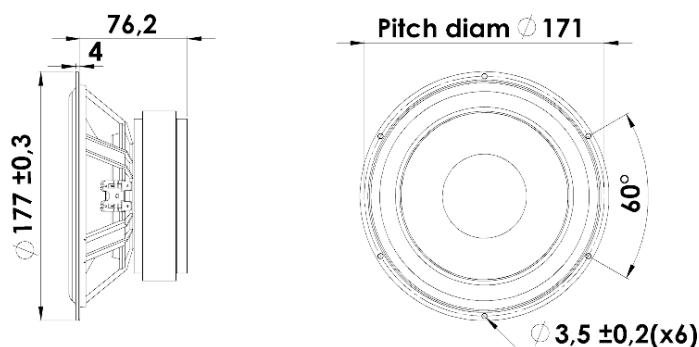


18 cm Midwoofer

18W/8545K00



### T-S Parameters:

Resonance frequency [fs]	28 Hz
Mechanical Q factor [Qms]	5.20
Electrical Q factor [Qes]	0.30
Total Q factor [Qts]	0.28
Force factor [Bl]	8.2 Tm
Mechanical resistance [Rms]	0.69 kg/s
Moving mass [Mms]	20.5 g
Compliance [Cms]	1.58 mm/N
Effective diaph. diameter [D]	136 mm
Effective piston area [Sd]	145 cm <sup>2</sup>
Equivalent volume [Vas]	46.4 l
Sensitivity (2,83V/1m)	87.5 dB

### Mechanical Data:

Voice coil diameter	42 mm
Voice coil height	19 mm
Voice coil layers	2
Gap height	6 mm
Linear excursion	± 6.5 mm
Max mech. excursion	± 10 mm
Unit weight	2.3 kg
Cabinet Displacement Volume	0.54 l

### Electrical Data:

Nominal impedance [Zn]	8 Ω
Minimum impedance [Zmin]	6.6 Ω
Maximum impedance [Zo]	101 Ω
DC resistance [Re]	5.5 Ω
Voice coil inductance [Le]	0.4 mH

### Power Handling:

100h RMS noise test (IEC 18.4)	100 W
Long-term max power (IEC 18.2)	170 W
X-over:	None

### Key Features:

- Patented Symmetrical Drive Motor Design
- Low-Loss linear suspension
- Air Dried Paper/Carbon Fibre Cone
- Low Damping SBR Rubber Surround
- 42mm Voice Coil w. fiber glass foil

### Recommendations (please see Tech Note):

- Operating frequency range: fs-3000 Hz
- Cabinet volume - closed box: Vbox=10 ltr, f(-3dB)=67 Hz
- Cabinet volume - vented box: Vbox=16 ltr, fb=39 Hz, f(-3dB)=44 Hz

