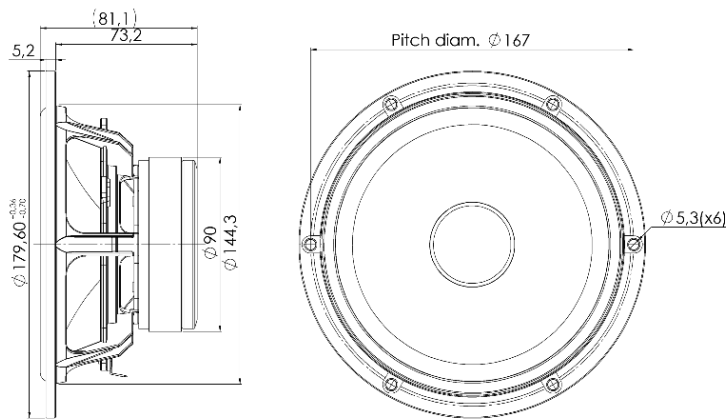




MIDWOOFER

18W/8434G00

The Discovery series offer traditional design, superior sound, a solid construction, and a wide range of variants. Combining these elements - plus a wealth of technical features and finesses - it gives our customers the possibility of acquiring a tailor-made Scan-Speak solution with very good performance at a reasonable low price point!



KEY FEATURES:

- High Output 89dB @ 2,83V
- Magnet System w. Alu Ring
- Die cast Alu Chassis vented below spider
- Coated NRSC Fibre Glass Cone
- Low Damping SBR Rubber Surround

T-S Parameters

| | |
|-------------------------------|---------------------|
| Resonance frequency [fs] | 50 Hz |
| Mechanical Q factor [Qms] | 7.58 |
| Electrical Q factor [Qes] | 0.46 |
| Total Q factor [Qts] | 0.43 |
| Force factor [Bl] | 7.2 Tm |
| Mechanical resistance [Rms] | 0.57 kg/s |
| Moving mass [Mms] | 13.7 g |
| Suspension compliance [Cms] | 0.74 mm/N |
| Effective diaph. diameter [D] | 132 mm |
| Effective piston area [Sd] | 137 cm ² |
| Equivalent volume [Vas] | 19.5 l |
| Sensitivity (2.83V/1m) | 88.7 dB |
| Ratio Bl/√Re | 3.05 N/√W |
| Ratio fs/Qts | 115 Hz |

Notes:

IEC specs. refer to IEC 60268-5 third edition.
All Scan-Speak products are RoHS compliant.
Data are subject to change without notice.
Datasheet updated: February 22, 2011.

Electrical Data

| | |
|----------------------------|---------|
| Nominal impedance [Zn] | 8 Ω |
| Minimum impedance [Zmin] | 6.7 Ω |
| Maximum impedance [Zo] | 97.9 Ω |
| DC resistance [Re] | 5.6 Ω |
| Voice coil inductance [Le] | 0.55 mH |

Power Handling

| | |
|--------------------------------|-------|
| 100h RMS noise test (IEC 17.1) | 55 W |
| Long-term max power (IEC 17.3) | 170 W |

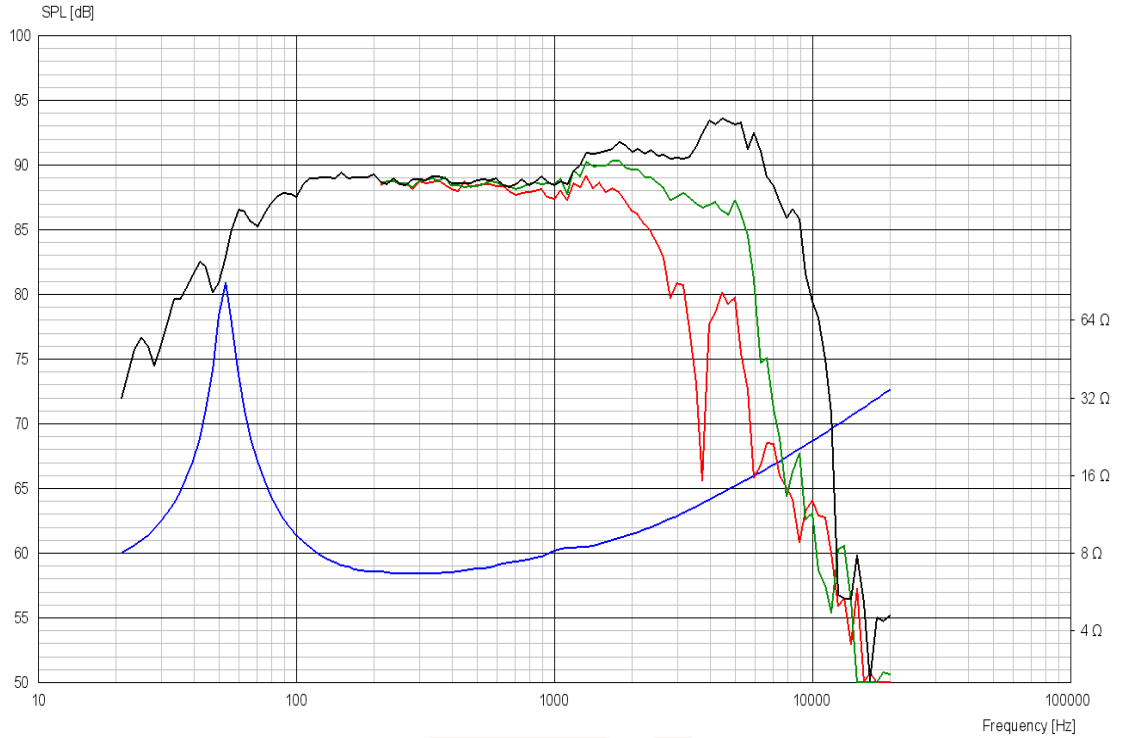
Voice Coil and Magnet Data

| | |
|---------------------|----------|
| Voice coil diameter | 32 mm |
| Voice coil height | 13.4 mm |
| Voice coil layers | 2 |
| Height of gap | 5 mm |
| Linear excursion | ± 4.2 mm |
| Max mech. excursion | ± 8 mm |
| Unit weight | 1.3 kg |



MIDWOOFER

18W/8434G00



Advanced Parameters (Preliminary)



Electrical data:

| | |
|------------------------|-----------|
| Resistance [Re'] | 5.83 Ω |
| Free inductance [Leb] | 0.0968 mH |
| Bound inductance [Le] | 0.794 mH |
| Semi-inductance [Ke] | 0.0669 SH |
| Shunt resistance [Rss] | 2289 Ω |

Mechanical Data

| | |
|-----------------------------|-------------|
| Force Factor [Bl] | 6.75 Tm |
| Moving mass [Mms] | 13.7 g |
| Compliance [Cms] | 0.882 mm/N |
| Mechanical resistance [Rms] | 0.180 kg/s |
| Admittance [Ams] | 0.0920 mm/N |