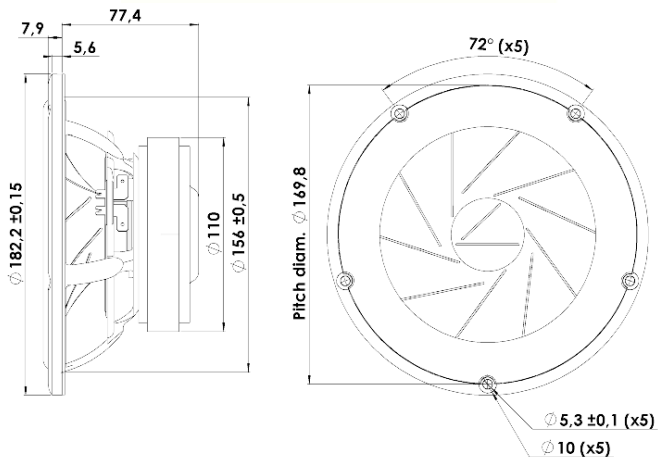


18 cm Midwoofer

18W/4531G00



T-S Parameters:

Resonance frequency [fs]	33 Hz
Mechanical Q factor [Qms]	5.20
Electrical Q factor [Qes]	0.38
Total Q factor [Qts]	0.35
Force factor [Bl]	5.7 Tm
Mechanical resistance [Rms]	0.70 kg/s
Moving mass [Mms]	17.5 g
Compliance [Cms]	1.33 mm/N
Effective diaph. diameter [D]	138 mm
Effective piston area [Sd]	157 cm ²
Equivalent volume [Vas]	41.9 l
Sensitivity (2,83V/1m)	90 dB

Mechanical Data:

Voice coil diameter	38 mm
Voice coil height	17.5 mm
Voice coil layers	2
Gap height	5 mm
Linear excursion	± 6.5 mm
Max mech. excursion	± 11 mm
Unit weight	1.7 kg
Cabinet Displacement Volume	0.47 l

Electrical Data:

Nominal impedance [Zn]	4 Ω
Minimum impedance [Zmin]	4.2 Ω
Maximum impedance [Zo]	49.9 Ω
DC resistance [Re]	3.4 Ω
Voice coil inductance [Le]	0.3 mH

Power Handling:

100h RMS noise test (IEC 18.4)	70 W
Long-term max power (IEC 18.2)	110 W
X-over:	None

Key Features:

- Patented Symmetrical Drive Motor Design
- Sliced Cone (Controls Cone Breakups)
- Low-Loss linear suspension
- Low Damping SBR Rubber Surround
- Die cast Alu Chassis vented below spider
- Large Ferrite Magnet System

Recommendations (please see Tech Note):

- Operating frequency range: fs-7000 Hz
- Cabinet volume - closed box: Vbox=17 ltr, f(-3dB)=61 Hz
- Cabinet volume - vented box: Vbox=35 ltr, fb=36 Hz, f(-3dB)=35 Hz

