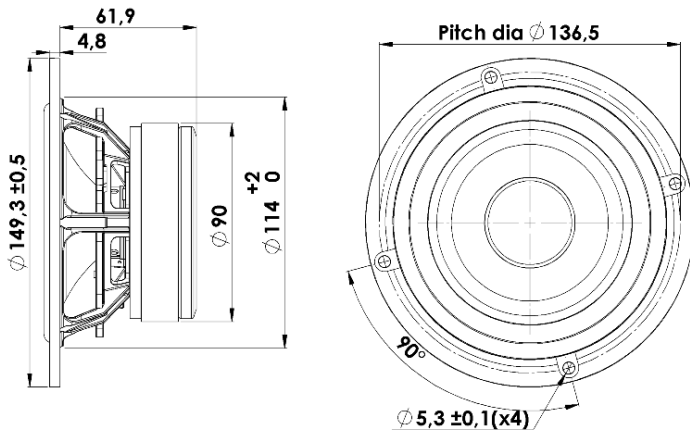


15 cm Midwoofer

15W/8434G00



T-S Parameters:

Resonance frequency [fs]	45 Hz
Mechanical Q factor [Qms]	3.74
Electrical Q factor [Qes]	0.27
Total Q factor [Qts]	0.25
Force factor [Bl]	7.3 Tm
Mechanical resistance [Rms]	0.66 kg/s
Moving mass [Mms]	8.61 g
Compliance [Cms]	1.43 mm/N
Effective diaph. diameter [D]	101 mm
Effective piston area [Sd]	80 cm ²
Equivalent volume [Vas]	12.8 l
Sensitivity (2,83V/1m)	87 dB

Mechanical Data:

Voice coil diameter	32 mm
Voice coil height	13.4 mm
Voice coil layers	2
Gap height	5 mm
Linear excursion	± 4.2 mm
Max mech. excursion	± 8 mm
Unit weight	1.2 kg
Cabinet Displacement Volume	0.23 l

Electrical Data:

Nominal impedance [Zn]	8 Ω
Minimum impedance [Zmin]	7.1 Ω
Maximum impedance [Zo]	84.7 Ω
DC resistance [Re]	5.7 Ω
Voice coil inductance [Le]	0.8 mH

Power Handling:

100h RMS noise test (IEC 18.4)	60 W
Long-term max power (IEC 18.2)	120 W
X-over:	None

Key Features:

- Coated NRSC Fibre Glass Cone
- Magnet System w. Alu Ring
- Low Damping SBR Rubber Surround
- Die cast Alu Chassis vented below spider

Recommendations (please see Tech Note):

- Operating frequency range: fs-8000 Hz
- Cabinet volume - closed box: N.a.
- Cabinet volume - vented box: N.a.

