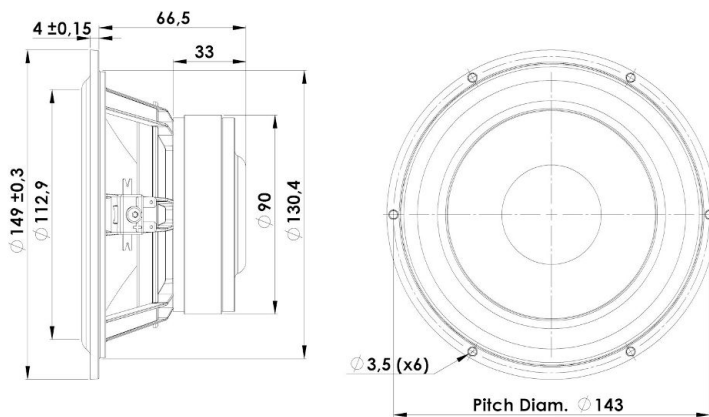




## MIDWOOFER

## 15W/8534T00

Adding this 15 cm midwoofer to the Classic line provides a missing link in this series of well known and well established drivers with excellent sonic performance. The new driver uses a new cone material with a fine combination of stiffness and damping. It goes without saying that Symmetrical drive, low loss linear suspension and aluminium chassis is part of the package.



### KEY FEATURES:

- "Phenomax" cone material
- 38 mm voice coil
- Aluminium chassis
- Symmetrical drive motor system
- Low loss linear rubber suspension

#### T-S Parameters

Resonance frequency [fs]	32 Hz
Mechanical Q factor [Qms]	3.6
Electrical Q factor [Qes]	0.43
Total Q factor [Qts]	0.39
Force factor [Bl]	5.5 Tm
Mechanical resistance [Rms]	0.6 kg/s
Moving mass [Mms]	11 g
Compliance [Cms]	2.2 mm/N
Effective diaph. diameter [D]	112 mm
Effective piston area [Sd]	98 cm <sup>2</sup>
Equivalent volume [Vas]	30 l
Sensitivity (2.83V/1m)	85.5 dB
Ratio Bl/√Re	2.3 N/√W
Ratio fs/Qts	84 Hz

#### Notes:

IEC specs. refer to IEC 60268-5 third edition.  
All Scan-Speak products are RoHS compliant.  
Data are subject to change without notice.  
Datasheet updated: December 17, 2019.

#### Electrical Data

Nominal impedance [Zn]	8 Ω
Minimum impedance [Zmin]	6.6 Ω
Maximum impedance [Zo]	57 Ω
DC resistance [Re]	5.8 Ω
Voice coil inductance [Le]	0.26 mH

#### Power Handling

100h RMS noise test (IEC 17.1)	60 W
Long-term max power (IEC 17.3)	100 W

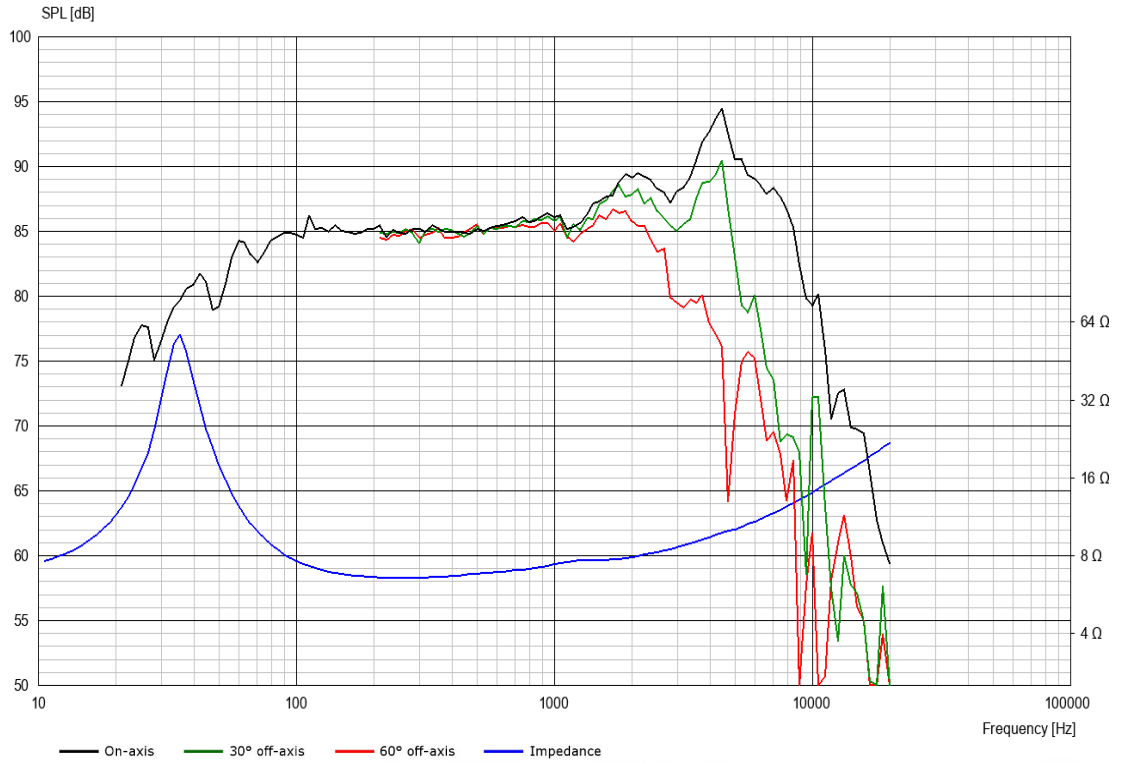
#### Voice Coil & Magnet Data

Voice coil diameter	38 mm
Voice coil height	15 mm
Voice coil layers	2
Height of gap	5 mm
Linear excursion	± 5 mm
Max mech. excursion	± 9 mm
Unit weight	1.2 kg

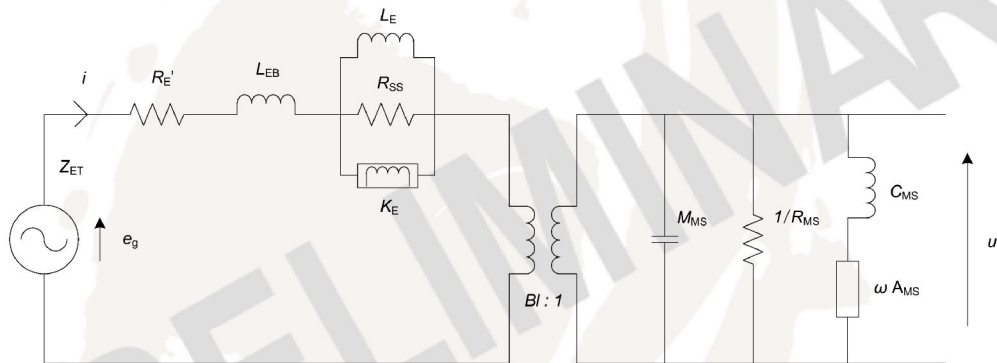


# MIDWOOFER

# 15W/8534T00



## Advanced Parameters (Preliminary)



### Electrical data

Resistance [ $R_{E'}$ ]	- $\Omega$
Free inductance [ $L_{EB}$ ]	- mH
Bound inductance [ $L_E$ ]	- mH
Semi-inductance [ $K_E$ ]	- SH
Shunt resistance [ $R_{SS}$ ]	- $\Omega$

### Mechanical Data

Force Factor [ $Bl$ ]	- Tm
Moving mass [ $M_{MS}$ ]	- g
Compliance [ $C_{MS}$ ]	- mm/N
Mechanical resistance [ $R_{MS}$ ]	- kg/s
Admittance [ $A_{MS}$ ]	- mm/N