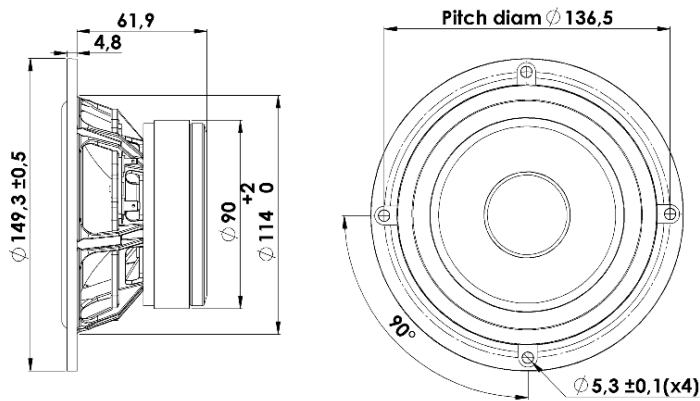


15 cm Midwoofer

15W/4434G00



T-S Parameters:

| | |
|-------------------------------|--------------------|
| Resonance frequency [fs] | 43 Hz |
| Mechanical Q factor [Qms] | 3.69 |
| Electrical Q factor [Qes] | 0.22 |
| Total Q factor [Qts] | 0.21 |
| Force factor [Bl] | 5.9 Tm |
| Mechanical resistance [Rms] | 0.70 kg/s |
| Moving mass [Mms] | 9.6 g |
| Compliance [Cms] | 1.43 mm/N |
| Effective diaph. diameter [D] | 101 mm |
| Effective piston area [Sd] | 80 cm ² |
| Equivalent volume [Vas] | 12.8 l |
| Sensitivity (2,83V/1m) | 89.5 dB |

Mechanical Data:

| | |
|-----------------------------|----------|
| Voice coil diameter | 32 mm |
| Voice coil height | 13.6 mm |
| Voice coil layers | 2 |
| Gap height | 5 mm |
| Linear excursion | ± 4.3 mm |
| Max mech. excursion | ± 8 mm |
| Unit weight | 1.2 kg |
| Cabinet Displacement Volume | 0.23 l |

Electrical Data:

| | |
|----------------------------|--------|
| Nominal impedance [Zn] | 4 Ω |
| Minimum impedance [Zmin] | 4.1 Ω |
| Maximum impedance [Zo] | 53.3 Ω |
| DC resistance [Re] | 3 Ω |
| Voice coil inductance [Le] | 0.5 mH |

Power Handling:

| | |
|--------------------------------|-------|
| 100h RMS noise test (IEC 18.4) | 60 W |
| Long-term max power (IEC 18.2) | 120 W |
| X-over: | None |

Key Features:

- High Output 90dB @ 2,83V
- Coated NRSC Fibre Glass Cone
- Magnet System w. Alu Ring
- Low Damping SBR Rubber Surround
- Die cast Alu Chassis vented below spider

Recommendations (please see Tech Note):

- Operating frequency range: fs-8000 Hz
- Cabinet volume - closed box: N.a.
- Cabinet volume - vented box: N.a.

