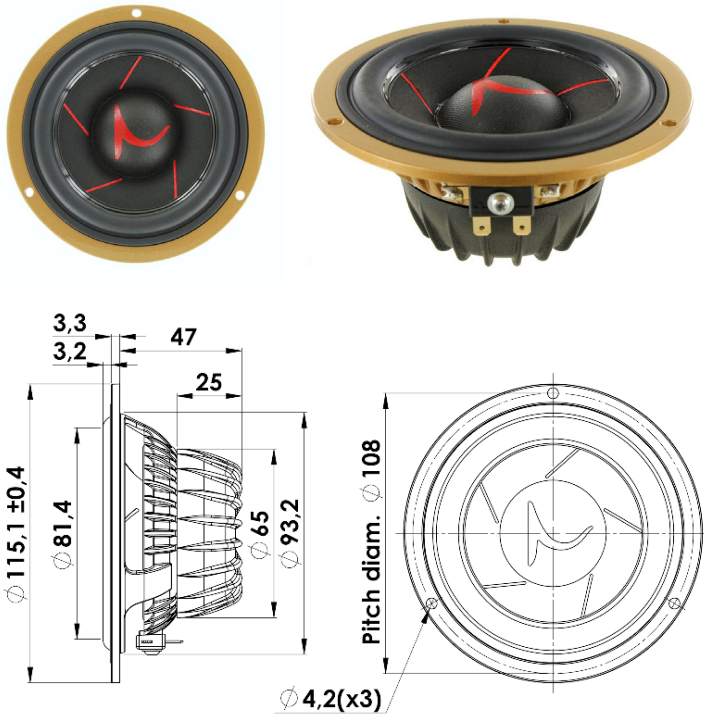


11 cm Midrange

11M/4631G05



Key Features:

- Sliced Paper Cone
- Compact Neodymium Magnet System
- Low-Loss Linear Suspension
- Robust Alu Chassis
- High Grade Neo Magnet
- Protective Magnet Cup with Grill over Pole Vent

Recommendations (please see Tech Note):

- Operating frequency range: 85-10000 Hz
- Cabinet volume - closed box: $V_{box}=0.8$ ltr, $f(-3dB)=142$ Hz
- Cabinet volume - vented box: $V_{box}=1.5$ ltr, $f_b=81$ Hz, $f(-3dB)=88$ Hz

T-S Parameters:

Resonance frequency [fs]	68 Hz
Mechanical Q factor [Qms]	4.54
Electrical Q factor [Qes]	0.33
Total Q factor [Qts]	0.31
Force factor [Bl]	5.5 Tm
Mechanical resistance [Rms]	0.67 kg/s
Moving mass [Mms]	7.1 g
Compliance [Cms]	0.77 mm/N
Effective diaph. diameter [D]	80 mm
Effective piston area [Sd]	50 cm ²
Equivalent volume [Vas]	2.7 l
Sensitivity (2,83V/1m)	90 dB

Mechanical Data:

Voice coil diameter	38 mm
Voice coil height	10 mm
Voice coil layers	2
Gap height	4 mm
Linear excursion	± 3 mm
Max mech. excursion	± 7 mm
Unit weight	0.6 kg
Cabinet Displacement Volume	0.08 l

Electrical Data:

Nominal impedance [Zn]	4 Ω
Minimum impedance [Zmin]	3.6 Ω
Maximum impedance [Zo]	43 Ω
DC resistance [Re]	3.3 Ω
Voice coil inductance [Le]	0.06 mH

Power Handling:

100h RMS noise test (IEC 18.4)	40 W
Long-term max power (IEC 18.2)	70 W
X-over: 2. order HP Butterworth, 200 Hz	

